

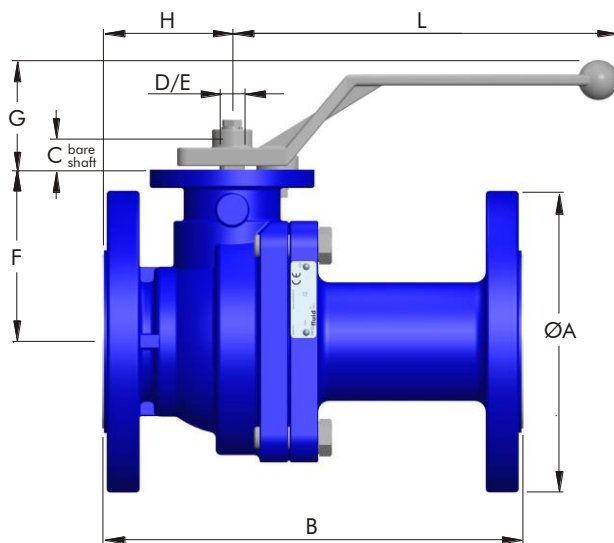
## 300# Valves

### Operating Conditions

- Temperature range from -40°F up to +400°F, depending on lining material
- Vacuum-/Pressure range from 0.01 psi up to 725 psi, depending on size/pressure/temperature

### Manual Valve

Standard version with handle/lever

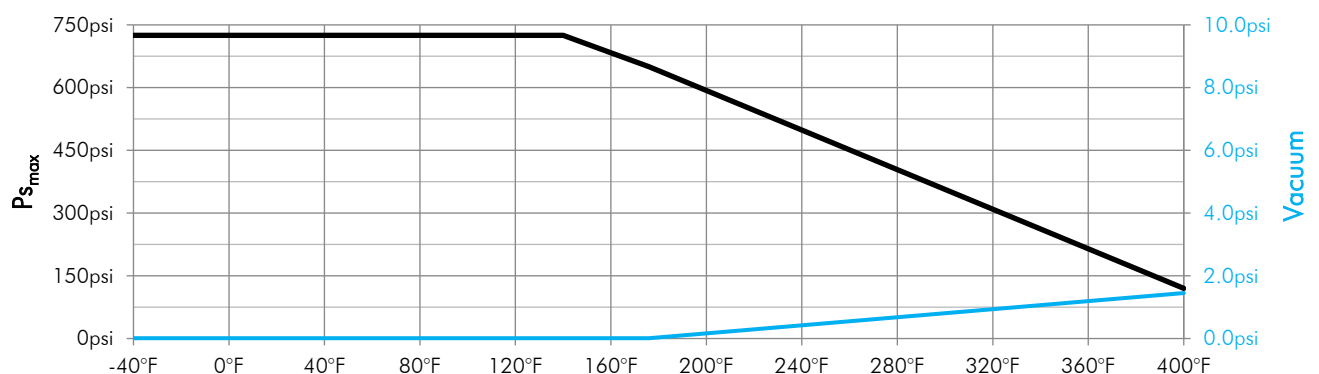


#### Dimensions inch

#### Weights lbs

Size nom.	ØA	B	C Shaft end	D Dia.	E DD	F	G	H	L	ISO Top	Valve only	Lever only
1"	4.88	6.50	0.75	0.55	0.43	2.76	2.28	3.63	6.34	F05	14.50	0.70
1½"	6.12	7.50	0.75	0.55	0.43	3.43	2.28	4.15	8.31	F07	23.00	0.79
2"	6.50	8.50	0.75	0.55	0.43	3.70	2.28	4.78	8.31	F07	30.00	0.79
3"	8.25	11.12	0.91	0.71	0.55	4.53	2.44	5.98	12.56	F07	59.00	0.90

### Pressure-/Temperature Diagram



Low temperature or austenitic steels are required for use below 14°F operating temperature.