

Compact Type Xonic 10 L[®] Fixed Ultrasonic Flowmeter



- **Single /Dual Path or Dual Channel**
- **Accuracy : $\pm 1\%$ or $\pm 0.5\%$ for dual path**
- **New Excellent Product from Korea**

www.jain.co.kr 82-2-856-4114

Xonic[®] 10L Ultrasonic Flowmeter

What is Xonic 10?

Xonic 10L Very compact and cheap but all performance is same with Xonic 100L model as measure transit-time of flow and use DSP (digital signal processing) technology to analyze ultrasonic signals. This DSP technology can remove any noise from pipe and electronics. Also, Xonic 10 use Cross Correlation and FFT (Fast Fourier Transform) technology to make very clean ultrasonic signals. with **Auto Installation function**



Compact Electronics NEMA4 ,IP65
Xonic 10L Ultrasonic Flowmeter with
Clamp On or Insertion Transducer

Measuring pipe is from 15 ~ 5,000 mm, and velocity range is from 0.02 ~ 20 m/sec. Xonic 10 can measure very slow flow, so very suitable for block flow (leak) monitoring system. Also, it has two 4-20mA inputs, so user can use this inputs to receive pressure ,level and temperature data without PLC.

Why use Xonic 10?

Clamp-On Technology make installation very simple. User just attach clamp-on onto pipe or insertion with hottap valve transducers drill to pipe. Do not need stop water supply for installation and after service.

Xonic10L can work with many kind of metal pipe as: Steel ,Stainless (SUS), Ductile Iron ,Copper, A/C, PVC, PE ,PB, FRP or Other if know sound velocity .

Turn-down ratio of Xonic 10 is more than 1000 :1. Xonic 10 is best flowmeters to check minimum flow during mid-night. flow in mid-night down to 1 m3/ hr for 100mm pipe and Xonic 10 keep accuracy.

Xonic 10 use Cross Correlation technology. So such technology remove most noise from outside, and make Xonic 10 can measure liquids contains heavy air and slurry.

Xonic 10 has large color graphic LCD, and it show flow, total, analog input data (pressure, level, etc), and ultrasonic signal shape, so user can check how flowmeter works in field without oscilloscope as diagnostic functions.

Xonic 10 is dual beam or dual path is basic model. User can use as single channel flowmeter with one pair transducers, and dual channel or dual path flowmeters with two pair transducers.

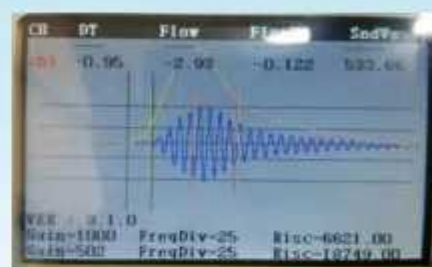


Xonic 10LX (Explosion Proof NEMA7)

The Best Flowmeters To Check Block Flow Can measure 0.02 m/sec velocity

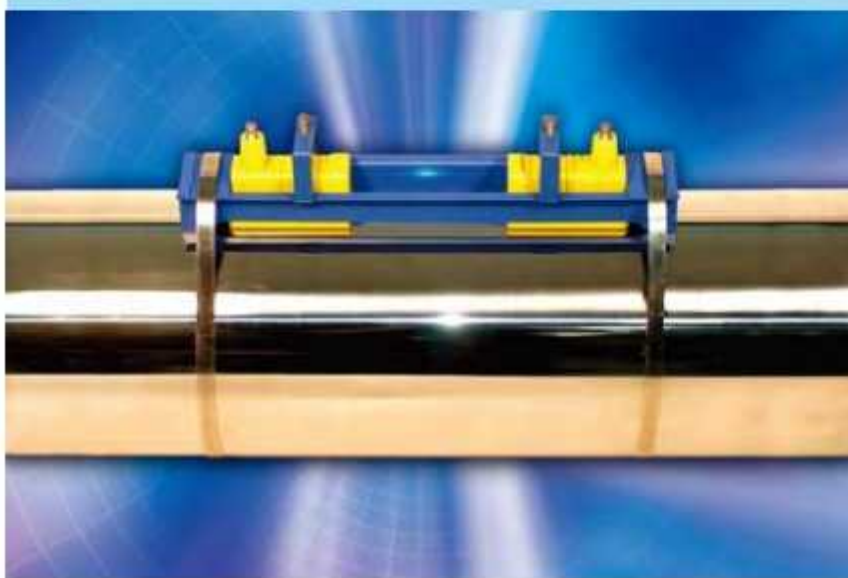
Performance of Xonic 10

- ✓ Clamp-On **or Insertion** Transducers
- ✓ Patented Anti-Round Technology
- ✓ **Velocity** is from 0.02 to 20 m/sec
- ✓ Measure Water Contains 30% **Air** and **Slurry**
- ✓ Oscilloscope Function
- ✓ DSP Technology (Cross **Correlation**)
- ✓ 12 Patents
- ✓ Two 4-20mA Analog Outputs for **Positive & Negative Flow**
- ✓ Two Relays for Flow **Totalizer**
- ✓ Two Analog **Inputs** for Pressure, Level, and etc.
- ✓ **Self-Diagnostic** Functions
- ✓ **Remote** Key Programming
- ✓ Large Color Graphic LCD Display (**320x240 pixel**)
- ✓ Key Lock Function
- ✓ **Software** for Easy **Installation** and Download Data
- ✓ 1,000,000 Points Datalogging
- ✓ 2 Years Warranty



Applications

- Municipal Water, Waste Water
- Block Flow Monitoring
- Strong Acid, Solvent
- Milk, Beer, Demi-water
- Oil, Chemicals
- Cool and Hot Water
- Liquids contains Heavy Slurry and Air
- Pulp, Steel Industries
- Nuclear Power Plant
- Sea Water



Clamp-On Transducers are free from contamination and simple installation

Xonic[®] 10 Ultrasonic Flowmeter

Flow Computer and Transducers

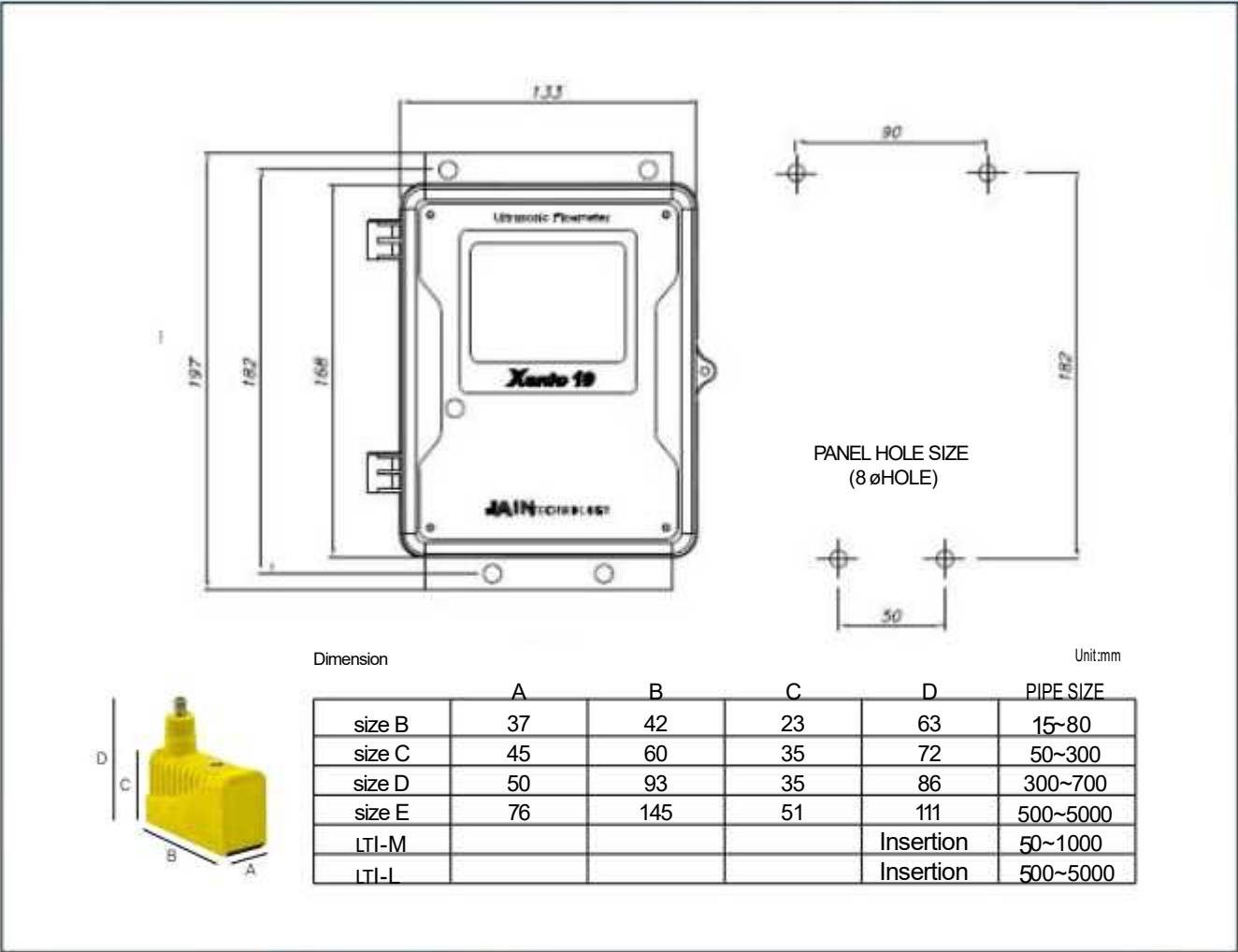


Specification

Installation	Clamp-On for pipe :15 - 5,000 mm , Insert : 50 – 5,000 mm
Principles	AR(Anti-Round) Mode, Transit-Time
Accuracy	±1.0 % single path (over 0.02 m/s) ±0.5 % dual path (over 0.02 m/s)
Velocity & Repeatability	±0.02 ~ 20 m/sec & 0.25 %
Turn Down Ratio	1000 : 1
Damping	1 ~ 999 seconds
Required Straight Run	10D upstream, 5D downstream, single path 7D upstream, 3D downstream, dual path
Analog Output	2 x 4-20mA (not over than 750 OHM)
Digital Output	2 x OCT (Open Collector Transistor) (Relays as optional)
Analog Input	2 x 4-20mA (for pressure, level temperature etc)
Datalogger	32 Mbytes (more than 1,000,000 points Datalogging)
Display	Color Graphic LCD Display (Flowrate: 4.5digit, Total: 12digit) Flowrate, Velocity, Total (POS ,NEG ,NET) ,Input Data(AI), DeltaT ,Ultrasonic Signal Shape, Frequency
Communication	RS-232C, RS-485 Modbus
Cable	RG62 A/U, standard 10m. option Max 200m
Power	12 ~ 24 Vdc with AC 100 -240 V adapter included
Enclosure	NEMA 4, IP65, Temp. range: -20 ~ +75 °C
Transducers	Submersible, IP68, Temp. range: -40 ~ +120 °C
Software	Download & Reading Data or Custom Configure (option/pending)

The Best Flowmeters To Check Block Flow Can measure 0.02 m/sec velocity

Drawings



Company Introduction

Products

X100P Portable Ultrasonic Flowmeter for Liquid
X100L Ultrasonic Flowmeter for Liquid
X100LM Open Channel Ultrasonic Flowmeter
X10G Flowmeter for Gas Spool Piece
X10GX Flowmeter for Gas Ultrasonic
X5L Ultrasonic Water Meter
X5G Ultrasonic Gas Meter
Solar Power Flow Monitoring System
RF Meter Reading System
Counter Sniper Detection System

Certification

Korea Calibration Laboratory Accreditation (KOLAS) ISO/IEC17025:2005
New Excellent Products from Ministry of Commerce
ISO9001
ISO 14001
CE

Awards

Prime Minister Awards
Ministry of Knowledge and Economy
Ministry of Environment



Portable Ultrasonic Flowmeter



X100L Ultrasonic Flowmeter

Jain Technology make new and digitalized ultrasonic flowmeters for liquid and gas flow. Also, Jain Technology has certified calibration laboratory for liquid flow in accordance with the recognized International Standard ISO/IEC 17025 : 2005.